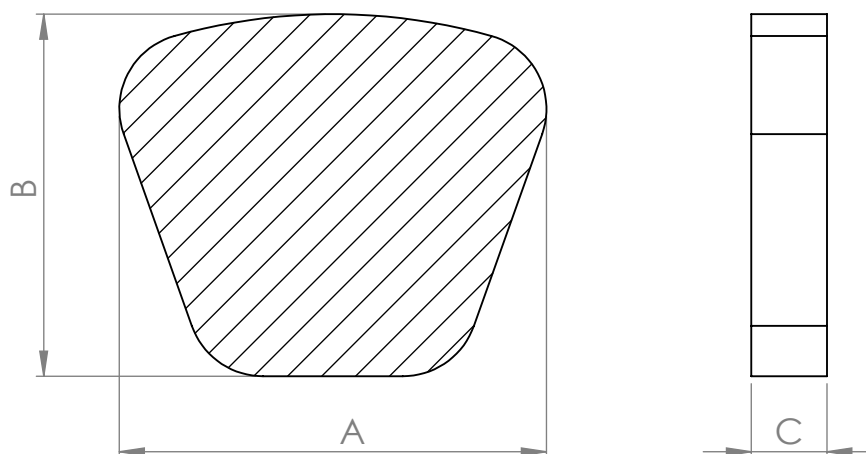


Standard brake block type 08



Prod No.	Dimension A (mm)	Dimension B (mm)	Dimension C (mm)
Blok 08-01	302	185	50
Blok 08-02	241	206	51
Blok 08-03	241	206	32
Blok 08-04	228	130	40
Blok 08-05	216	178	51
Blok 08-06	204	202	44
Blok 08-07	203	165	44
Blok 08-08	171	156	44
Blok 08-09	163	136	38
Blok 08-10	67	52	32